



P050



BSP Female 60° cone - UniLock

153

P150



BSP 90° Swept elbow 60° cone - UniLock

153

P350



BSP Male Parallel 60° cone - UniLock

154



A



Aluminium ferrule

155

BA



Steel ferrule

156



0345B



BSP Male - Flat Seat

157

0350B



BSP Male Parallel 60° cone

158



0051B



BSP Female 60° cone

159

0151B



BSP 90° Swept elbow 60° cone

160

0251B



BSP 45° Swept Elbow 60° Cone

161

0060B



BSP Female Flat Seal

162

0160B



BSP 90° Swept elbow flat seat

162



0400B



Metric Male 60° cone

163



0100B



Metric Female 60° cone

163

0200B



90° Metric Swept Elbow 60° cone

164

0300B



45° Metric Swept Elbow 60° cone

164



1350B



Metric Banjo

165

1400B

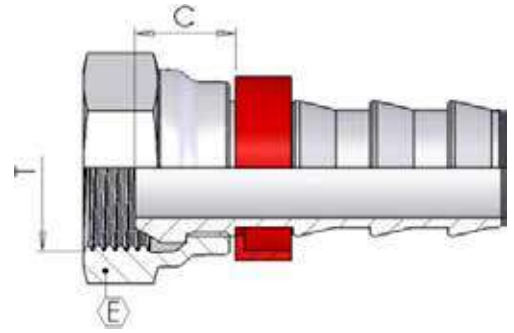


BSP Banjo

166

P050

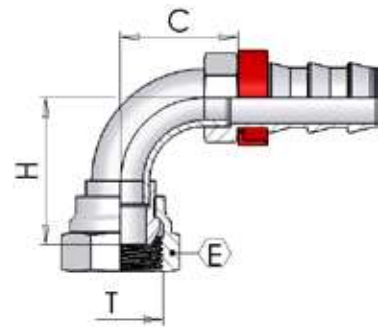
BSP Female 60° cone - UniLock



Part number	Hose I.D.	Dimensions		
		dash size	Hex E	Cut-Off C
	in			
P050-04-04	1/4	04	17	10
P050-06-06	3/8	06	19	10
P050-08-08	1/2	08	27	13
P050-12-12	3/4	12	32	16
P050-16-16	1	16	38	15

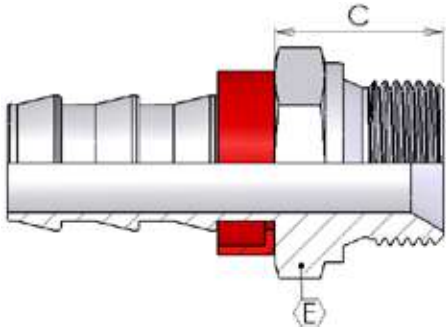
P150

BSP 90° Swept elbow 60° cone - UniLock



Part number	Hose I.D.	Dimensions		
		dash size	Hex E	Cut-Off C
	in			
P150-04-04	1/4	04	17	20
P150-06-06	3/8	06	19	21
P150-08-08	1/2	08	27	26
P150-12-12	3/4	12	32	37
P150-16-16	1	16	38	44

P350

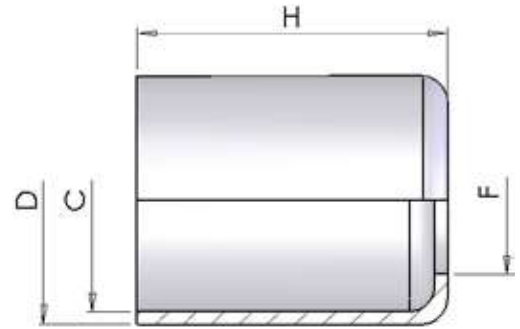


BSP Male Parallel 60° cone - UniLock

Part number	Hose I.D.	Dimensions		
		dash size	Hex E	Cut-Off C
P350-04-04	1/4	04	19	20
P350-06-06	3/8	06	22	22
P350-08-08	1/2	08	27	25
P350-12-12	3/4	12	32	27
P350-16-16	1	16	41	30

A

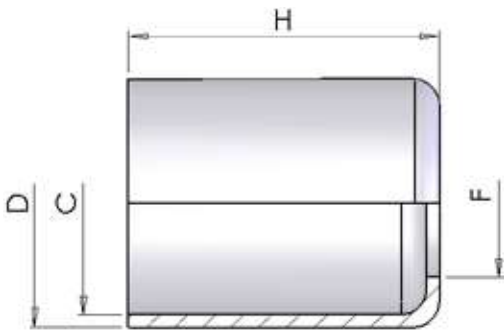
Aluminium ferrule



Part number	Dimensions			
	C	D	F	Drop
A11x13	11	13	8	16
A12x14	12	14	8	17
A13x15	13	15	9	20
A14x16	14	16	9	20
A15x17	15	17	11	20
A16x18	16	18	12	23
A17x19	17	19	12	23
A18x20	18	20	12	23
A19x21	19	21	15	25
A20x22	20	22	15	25
A21x23	21	23	15	25
A22x24	22	24	15	25
A23x25	23	25	16	26
A24x26	24	26	15	26
A26x28	26	28	20	30
A27x29	27	29	20	30
A28x30	28	30	20	30
A30x32	30	32	21	30
A32x34	32	34	22	30
A34x36	34	36	27	35
A36x38	36	38	26	36
A38x40	38	40	27	36
A42x45	42	45	32	40

BA

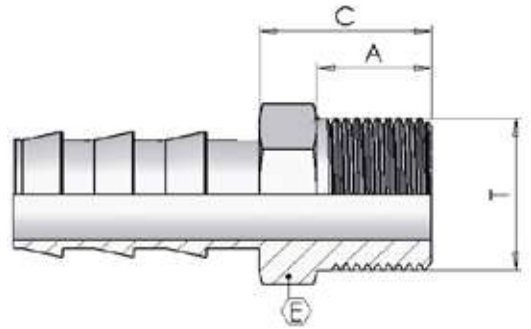
Steel ferrule



Part number	Dimensions			
	C	D	F	Drop H
BA-021-024	21	24	16	31
BA-022-025	22	25	16	31
BA-024-027	24	27	18	31
BA-027-030	27	30	20	34
BA-029-032	29	32	21	35
BA-032-035	32	35	23	36
BA-035-038	35	38	27	36
BA-037-040	37	40	28	38
BA-039-042	39	42	29	40
BA-042-045	42	45	32	42
BA-046-050	46	50	34	46
BA-048-052	48	52	35	46
BA-051-055	51	55	42	48
BA-056-060	56	60	43	50
BA-060-065	60	65	45	51
BA-065-070	65	70	53	54
BA-070-075	70	75	55	56
BA-077-082	77	82	65	61
BA-080-085	80	85	68	64
BA-085-090	85	90	68	63
BA-095-100	95	100	78	68
BA-100-105	100	105	84	76

0345B

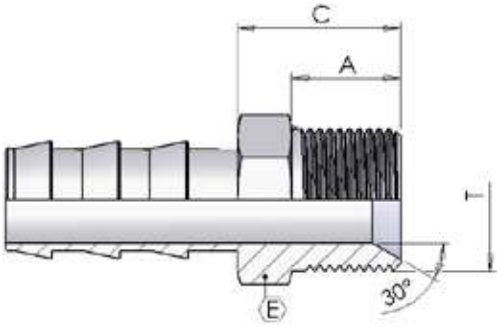
BSP Male - Flat Seat



Part number	Hose I.D.	Dimensions		
		Hex	Cut-Off	
	in	E	C	A
0345B04-02	1/4	14	16	10
0345B04-04	1/4	14	16	10
0345B05-04	5/16	14	16	10
0345B05-06	5/16	17	19	12
0345B06-04	3/8	17	16	10
0345B06-06	3/8	17	19	12
0345B06-08	3/8	22	21	13
0345B08-06	1/2	19	19	12
0345B08-08	1/2	22	21	13
0345B10-06	5/8	19	19	12
0345B10-08	5/8	22	21	13
0345B10-12	5/8	27	21	15
0345B12-08	3/4	24	21	13
0345B12-12	3/4	27	23	15
0345B12-16	3/4	34	25	16
0345B16-12	1	30	23	15
0345B16-16	1	34	25	16
0345B20-12	1.1/4	34	23	15
0345B20-16	1.1/4	36	26	16
0345B20-20	1.1/4	42	27	17
0345B24-20	1.1/2	42	27	17
0345B24-24	1.1/2	50	29	18
0345B32-32	2	60	31	19
0345B40-40	2.1/2	75	36	23

0350B

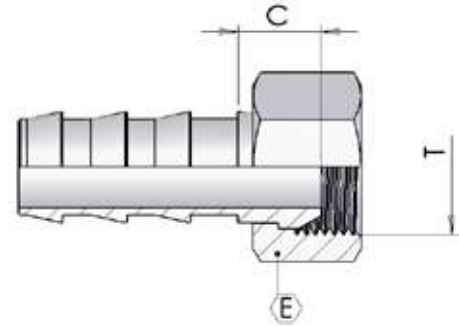
BSP Male Parallel 60° cone



Part number	Hose I.D.	Dimensions		
		Hex	Cut-Off	
	in	E	C	A
0350B04-02	1/4	14	14	9
0350B04-04	1/4	19	16	10
0350B05-04	5/16	19	16	10
0350B06-04	3/8	19	16	10
0350B06-06	3/8	22	18	12

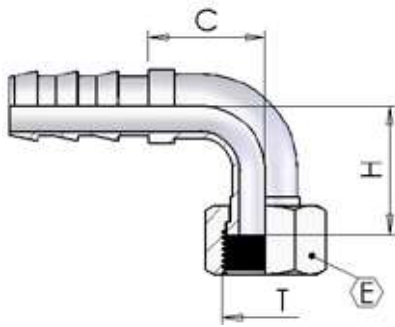
0051B

BSP Female 60° cone



Part number	Hose I.D.	Dimensions	
		Hex	Cut-Off
		E	C
	in		
0051B03-02	3/16	14	9
0051B04-02	1/4	14	9
0051B04-04	1/4	17	10
0051B05-04	5/16	17	10
0051B05-06	5/16	19	11
0051B06-06	3/8	19	11
0051B06-08	3/8	24	12
0051B08-06	1/2	19	11
0051B08-08	1/2	24	12
0051B10-08	5/8	24	12
0051B10-12	5/8	30	14
0051B12-12	3/4	30	14
0051B12-16	3/4	38	15
0051B16-16	1	38	16
0051B20-20	1.1/4	46	16
0051B20-24	1.1/4	55	18
0051B24-24	1.1/2	55	18
0051B32-32	2	65	19
0051B40-40	2.1/2	85	24
0051B48-48	3	100	26

0151B

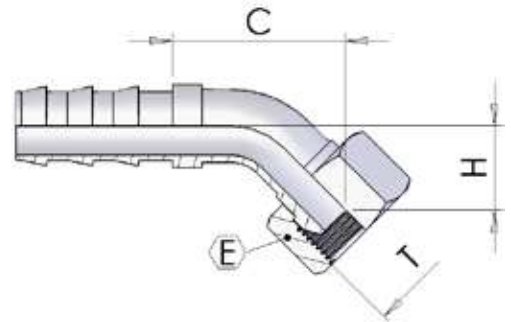


BSP 90° Swept elbow 60° cone

Part number	Hose I.D.	Dimensions	
		Hex	Cut-Off
	in	E	C
0151B04-04	1/4	17	28
0151B05-04	5/16	17	28
0151B05-06	5/16	19	32
0151B06-06	3/8	19	33
0151B06-08	3/8	24	38
0151B08-06	1/2	19	38
0151B08-08	1/2	24	43
0151B08-12	1/2	30	40
0151B10-08	5/8	24	44
0151B10-12	5/8	30	40
0151B12-12	3/4	30	51
0151B12-16	3/4	38	45
0151B16-12	1	32	45
0151B16-16	1	38	60
0151B16-20	1	46	56
0151B20-20	1.1/4	46	70
0151B24-24	1.1/2	55	70
0151B32-32	2	65	66
0151B40-40	2.1/2	85	82

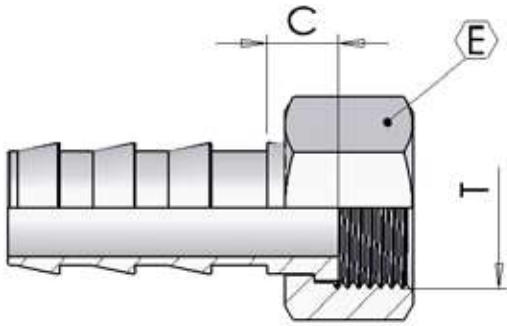
0251B

BSP 45° Swept Elbow 60° Cone



Part number	Hose I.D.	Dimensions	
		Hex	Cut-Off
	in	E	C
0251B04-04	1/4	17	44
0251B05-06	5/16	19	50
0251B06-06	3/8	19	52
0251B06-08	3/8	24	54
0251B08-06	1/2	19	54
0251B08-08	1/2	24	60
0251B10-12	5/8	30	65
0251B12-12	3/4	30	65
0251B12-16	3/4	38	55
0251B16-16	1	38	74
0251B20-20	1.1/4	46	72
0251B24-24	1.1/2	55	72
0251B32-32	2	65	90

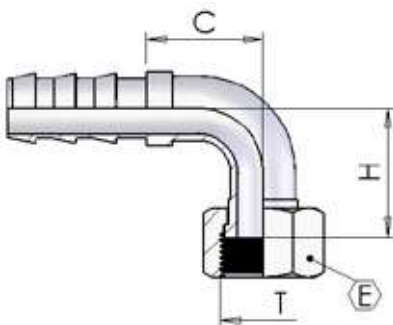
0060B



BSP Female Flat Seal

Part number	Hose I.D.	Dimensions	
		Hex	Cut-Off
	in	E	C
0060B04-04	1/4	17	7
0060B05-04	5/16	17	7
0060B05-06	5/16	19	8
0060B06-06	3/8	19	8
0060B06-08	3/8	24	8
0060B08-08	1/2	24	8
0060B10-12	5/8	30	9
0060B12-12	3/4	30	9
0060B12-16	3/4	38	10
0060B16-16	1	38	11
0060B20-20	1.1/4	46	11
0060B24-24	1.1/2	55	12
0060B32-32	2	65	12

0160B

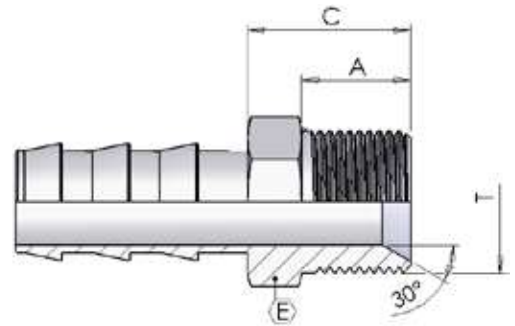


BSP 90° Swept elbow flat seat

Part number	Hose I.D.	Dimensions	
		Hex	Cut-Off
	in	E	C
0160B08-08	1/2	24	43
0160B08-12	1/2	30	40
0160B12-12	3/4	30	40
0160B12-16	3/4	38	45

0400B

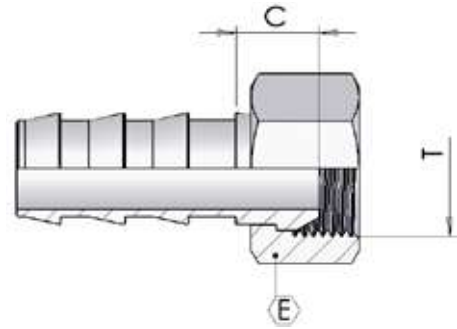
Metric Male 60° cone



Part number	Hose I.D.	Dimensions		
		Hex	Cut-Off	
	in	E	C	A
0400B04-14	1/4	19	17	11
0400B05-14	5/16	19	17	11
0400B06-14	3/8	19	17	11

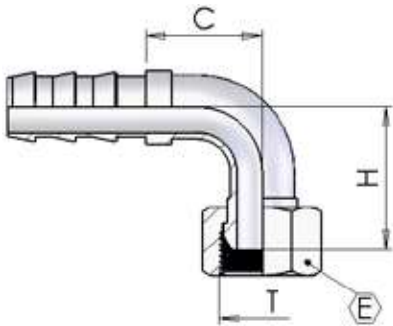
0100B

Metric Female 60° cone



Part number	Hose I.D.	Dimensions	
		Hex	Cut-Off
	in	E	C
0100B03-10	3/16	14	9
0100B03-12	3/16	17	10
0100B04-12	1/4	17	10
0100B04-14	1/4	17	10
0100B05-14	5/16	17	10
0100B05-16	5/16	19	11
0100B06-18	3/8	22	11
0100B08-18	1/2	22	12
0100B08-22	1/2	27	12
0100B10-22	5/8	27	12
0100B10-26	5/8	32	14
0100B12-26	3/4	32	14

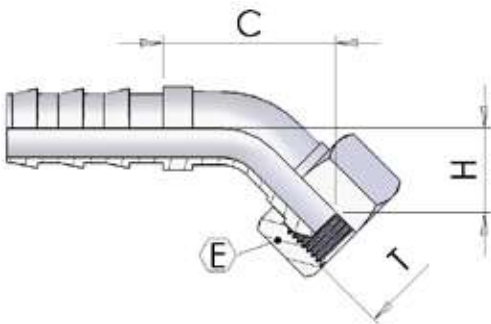
0200B



90° Metric Swept Elbow 60° cone

Part number	Hose I.D.	Dimensions	
		Hex	Cut-Off
	in	E	C
0200B04-14	1/4	17	28
0200B05-16	5/16	19	32
0200B06-18	3/8	22	35
0200B08-22	1/2	27	43
0200B10-26	5/8	32	43
0200B12-26	3/4	32	51

0300B

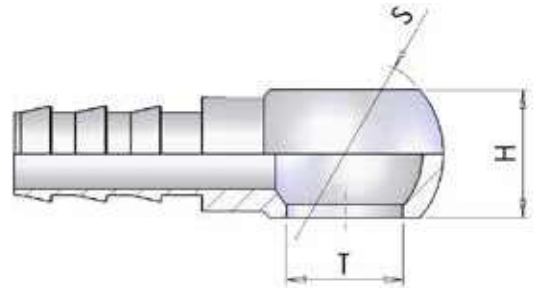


45° Metric Swept Elbow 60° cone

Part number	Hose I.D.	Dimensions	
		Hex	Cut-Off
	in	E	C
0300B04-14	1/4	17	44
0300B05-16	5/16	19	50
0300B06-18	3/8	22	52
0300B08-18	1/2	22	54
0300B08-22	1/2	27	62
0300B12-26	3/4	32	65

1350B

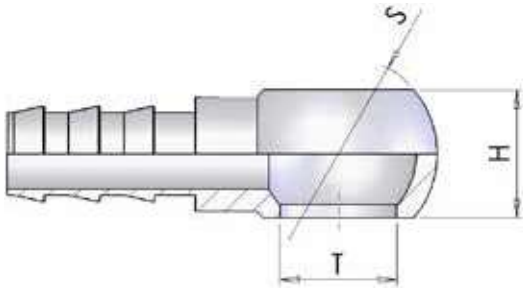
Metric Banjo



Part number	Hose I.D.	Dimensions
		Drop
	in	H
1350B04-10	1/4	11
1350B04-12	1/4	12
1350B04-14	1/4	14
1350B05-12	5/16	12
1350B05-14	5/16	14
1350B05-16	5/16	19
1350B06-16	3/8	19
1350B06-18	3/8	20
1350B08-18	1/2	20
1350B08-22	1/2	23
1350B10-18	5/8	20

1400B

BSP Banjo



Part number	Hose I.D.	Dimensions
		Drop
	in	H
1400B04-04	1/4	14
1400B05-04	5/16	14
1400B05-06	5/16	17
1400B06-04	3/8	14
1400B06-06	3/8	17
1400B08-06	1/2	17
1400B08-08	1/2	22
1400B10-06	5/8	17
1400B10-08	5/8	22
1400B10-12	5/8	29
1400B12-12	3/4	29
1400B16-12	1	29
1400B16-16	1	35



